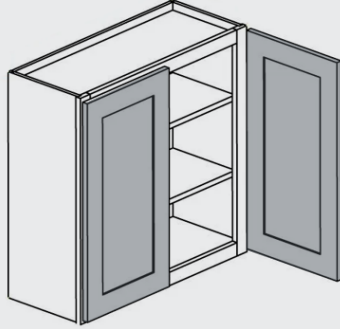


PART TYPES

When ordering your refacing project, there are several part types to choose from and considerations for each. This guide provides an overview of each part type and the options available.

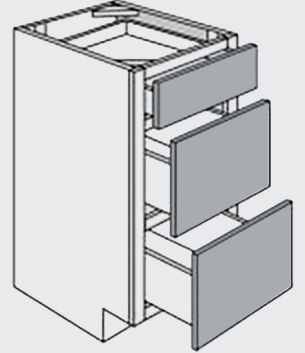
DOOR

- Drilled for hinges on height side
- Included in suggested pull count
- Shaker not drilled for pulls. Slab drilled for pulls, if placement information provided



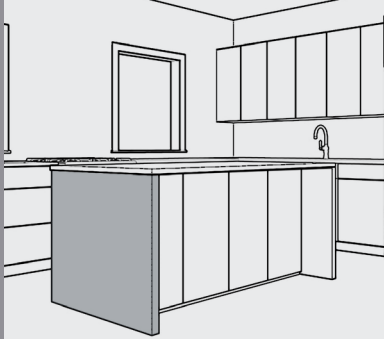
DRAWER FRONT

- Drilled for pulls, if pulls purchased from us
- Included in suggested pull count



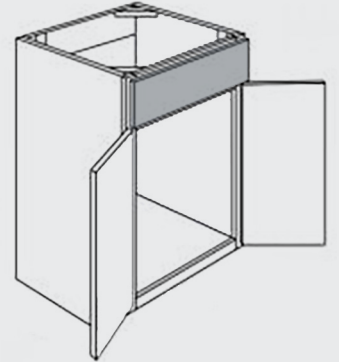
DECORATIVE PANEL

- Same thickness and design as a door (slab or any shaker style) without hinge boring
- No hinges or pulls suggested or drilled
- Vertical grain along height of panel



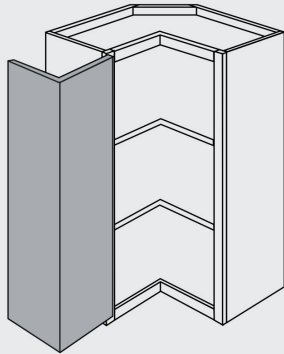
FALSE FRONT

- Mounting kit will be suggested
- No pull suggested



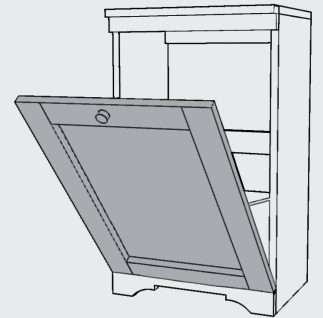
DOOR, INSIDE CORNER

- Mounting kit will be provided
- One pull suggested in pull count, per set
- Shaker not drilled for pulls. Slab drilled for pulls, if placement information provided
- Template provided for hinge bore or pulls



HAMPER FRONT

- Drilled for hinges on width side
- Included in suggested pull count
- Drilled for pulls, if purchased from us. Centered on opposite side from hinge bores



1/4" PANEL

- No hinges or pulls suggested
- Raw edge
- Vertical grain along height of panel

